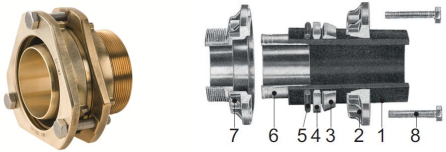
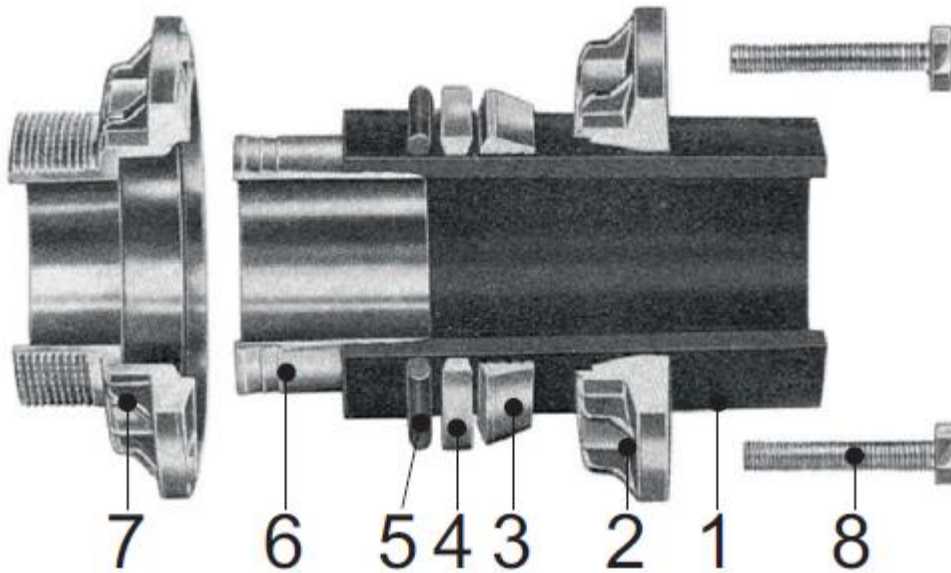


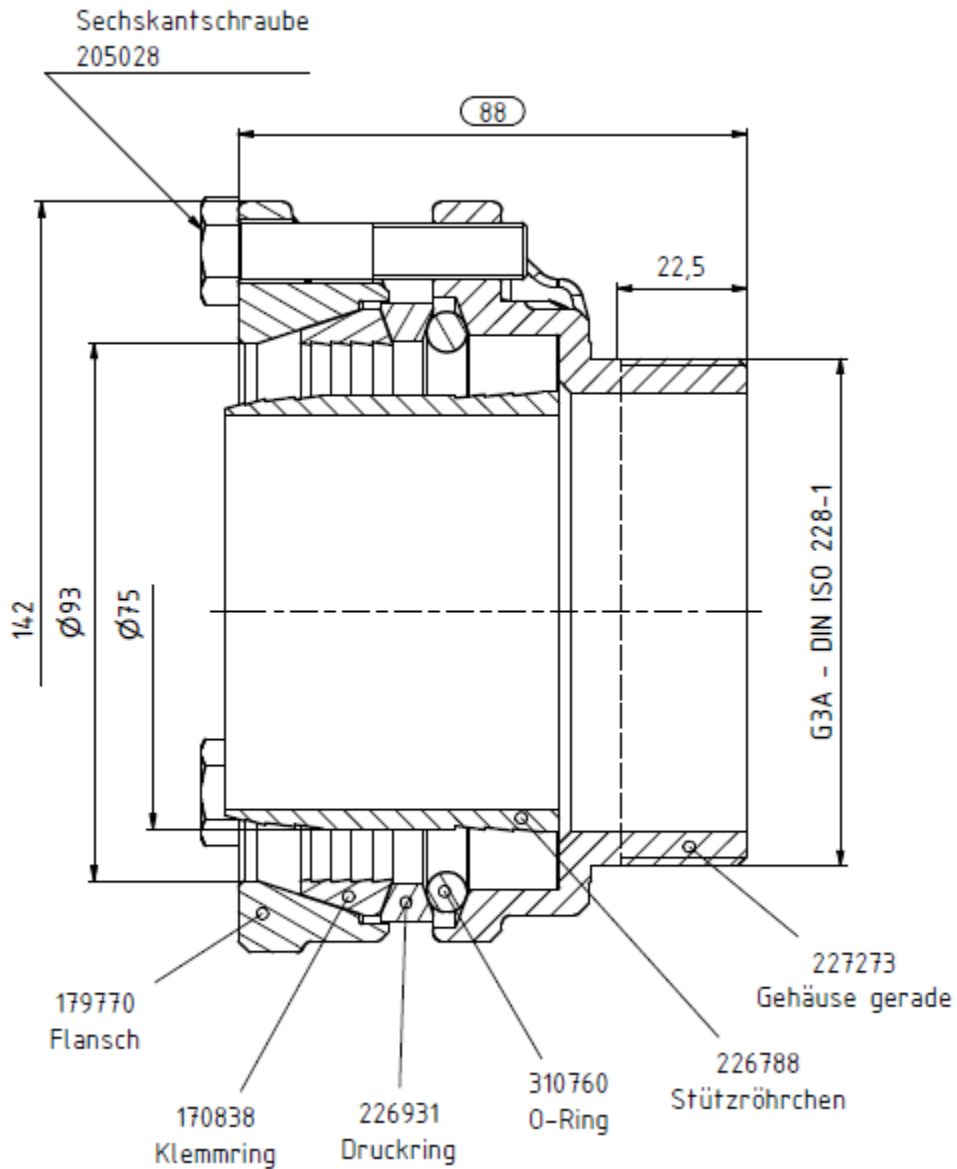


Technical details:

CODE	PB O.D. [mm]	Thread	
BCA-PB90/8,2 BCA-PB110/10,0	90 110	3" 4" (ID3 1/2")	
Description:	Compression fitting, special fabricated to fit PB material		
Dimensions:	O.D. 90 – 110 mm		
Transition:	Male thread, BSP (British Standard Pipe thread)		
Underground installation:	Yes		
Assembly:	Easy fitting without any special tool		
Material:	thermal stress relieved and dezincification resistant brass		
Sealing:	EPDM Gasket, sealing at the outer surface of the PB pipe		

Parts:


2	Flange
3	Clamping ring
4	Distance ring
5	O-ring
6	Insert
7	Fitting body

Measurements: BCA-PB90/8,2


Measurements: BCA-PB110/10,0
